

Tednologies, Inc.
PO Box 113311
Anchorage, AK 99511
P: (907) 345-6838
F: (907) 345-9051
Email: don@palletguy.net

Harman's Repair Station, Inc.
PO Box 113322
Anchorage, AK 99511
P: (907) 345-6838
F: (907) 345-9051
Email: don@palletguy.net

TEDSBOX[®]

Keeps Your Cools-Cool.... And Your Hots-Hot!

Tednologies, Inc.

Tednologies, Inc. was created to satisfy the need for proper containers to ship perishable products. TEDSBOX[®] was designed around the actual needs of the following perishables markets; foods, flowers, medicines, fish processors, air carriers, commodity forwarders, restaurateurs, rural Alaska retailers and pharmaceutical companies. Now shippers have a complete active Cool-Chain system that's secure... from the fishing grounds in Bristol Bay, Alaska to the restaurant in Rome.

Active Cool-Chain for the 21st Century

- Tracking
- Environmental
- Deviation
- System

Proprietary and Confidential. The information contained in this drawing is the sole property of Tednologies, Inc. Any reproduction in part or as a whole without the written permission of Tednologies, Inc. is prohibited.

Solving Your Perishable Goods Shipping Problems

- **Accurate Tracking** - Clients know their product is the freshest possible including time and temperature tracking.
- **Ship 25% More Product** - More space available so you can increase your net shipping volume by 25% (compared to current industry containers).
- **Stays Fresher Longer** - Active cooling system holds temperatures within +/- 2°F for up to 75 hours without recharging dependent upon environmental conditions. May be recharged using 110v or 220v.
- **Easy Handling** - TEDSBOX® is forklift able/pallet jackable from two sides.
- **Increased Security** - Lockable and tamper evident latch prevents contamination (intentional and unintentional) and reduces chain of custody issues.
- **Easy Cleaning** - Rounded corners on inside walls and Gel-Coat finish makes cleaning and inspection simple. Reduces spoilage costs due to contamination. One piece design, no pockets for mold or fungus.
- **Global Applications** - The markets are global, and the TEDSBOX® will soon be global as well. FAA Certification is in progress, which will allow you to ship globally at the highest level of quality and security.
- **Door-to-Door Solutions** - Producer to Consumer with the same container accepted on truck, train, aircraft and ship. No more re-packaging and re-handling or the associated costs, loss of quality, time and contamination. The TEDSBOX® can sit on the tarmac for a day or two on battery power, indefinitely if plugged into a proper power source without risk of spoilage.

Proprietary and Confidential. The information contained in this drawing is the sole property of Tednologies, Inc. Any reproduction in part or as a whole without the written permission of Tednologies, Inc. is prohibited.



**TEDSBOX – Pallet Jack or Fork Lifiable
and Easy to Handle**

Customer Problem:

Up to 40 percent of produce arrives at rural Alaska retail stores unfit for consumption. The rural Alaska salmon industry faces significant quality problems that arise from multiple handlings and cargo sitting on the tarmac between shipments. Global seafood and fresh cut flower industries experience quality loss and chain of custody issues. The medical and pharmaceutical industries face great challenges keeping medicines, supplies and organs in a temperature controlled environment. The Department of Defense transports temperature-sensitive munitions to environmentally extreme locations with no good internal temperature control systems. All shippers have a need for point-to-point containers with increased security and credible Tracking Environmental Deviation Systems (hence the product name TEDSBOX).

Solution:

The Tracking Environmental Deviation System containers (TEDSBOX) is a self-contained secure insulated shipping container (aka active cool chain container) with a built-in battery that can maintain a temperature between 34 – 89°F; with dry ice the temperature can be held down to -10°C/14 F°. Temperature monitoring and recording provides a documented history for insurance and chain of custody issues. RFID technology can be applied for remote tracking. The initial product is built to the very common LD-3 specifications, which is grossed at 3,500 lbs. Leasing in Alaska and internationally will be available for infrequent users and carriers.

Proprietary and Confidential. The information contained in this drawing is the sole property of Tednologies, Inc. Any reproduction in part or as a whole without the written permission of Tednologies, Inc. is prohibited.

Market:

One key market is the global pharmaceutical industry. Rural Alaska retail stores are one primary market. A second primary market is the rural Alaska seafood industry, expanding into global seafood. Rural Alaska work camps are another important local market. Looking outside to global markets, the fresh cut flowers, pharmaceutical, medical, military industries all have unmet needs for active cool chain shipping containers.

Current & Potential Customers:

Rural Alaska retail and foodservice: AC Stores, ANICA Stores, independent retailers and Village Corporations, Universal-Doyon, NANA-Marriott. Alaska seafood: CDQ groups and partner processors; direct marketers, fishermen and processors; large restaurants; wholesalers; oystermen and clammers; commodity freight forwarders (air and ground). Global shrimp and aquaculture industry participants, fresh cut flower industry participants, Department of Defense, major pharmaceutical companies including BASF, major hospitals and medical supply companies, air carriers and trucking companies.

Marketing Strategy & Channels:

Initial efforts will focus on personal direct sales by Harman to non-FAA certified applications, such as a trucking company that wants to gain a competitive advantage in shipping AK seafood to the Lower 48. Rural retail store chains will be approached on the basis of cost savings. Direct sales and word of mouth to seafood companies will cover the Alaska seafood industry. Trade shows such as the Global Food Alaska conference in June '07 and national air cargo shows will create sales prospects and create interest. A technology this new will be a lever for an aggressive PR campaign to create "buzz" nationally that will support local and direct sales efforts. Internet will be used to support the PR and direct sales effort with detailed product information and cost benefits.

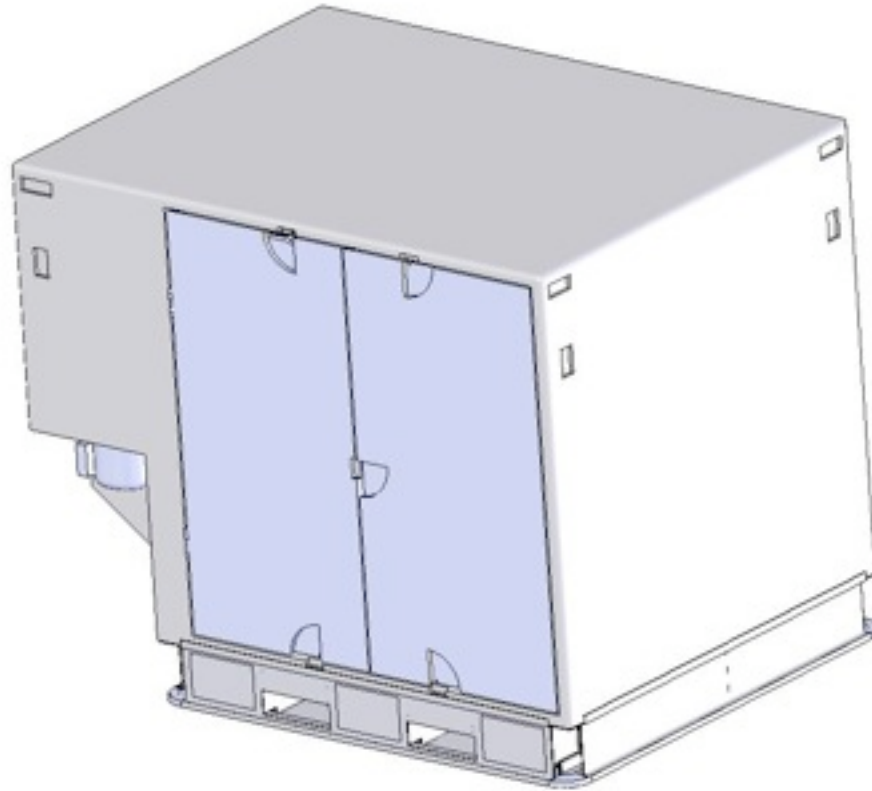
Proprietary and Confidential. The information contained in this drawing is the sole property of Tednologies, Inc. Any reproduction in part or as a whole without the written permission of Tednologies, Inc. is prohibited.

Active Cool-Chain LD-3 containers keep your goods between 34°F - 89°F. Add dry ice or gel packs to keep down to -10C/14°F. Save money while shipping perishable foods, medicine and pharmaceuticals.

Specifications

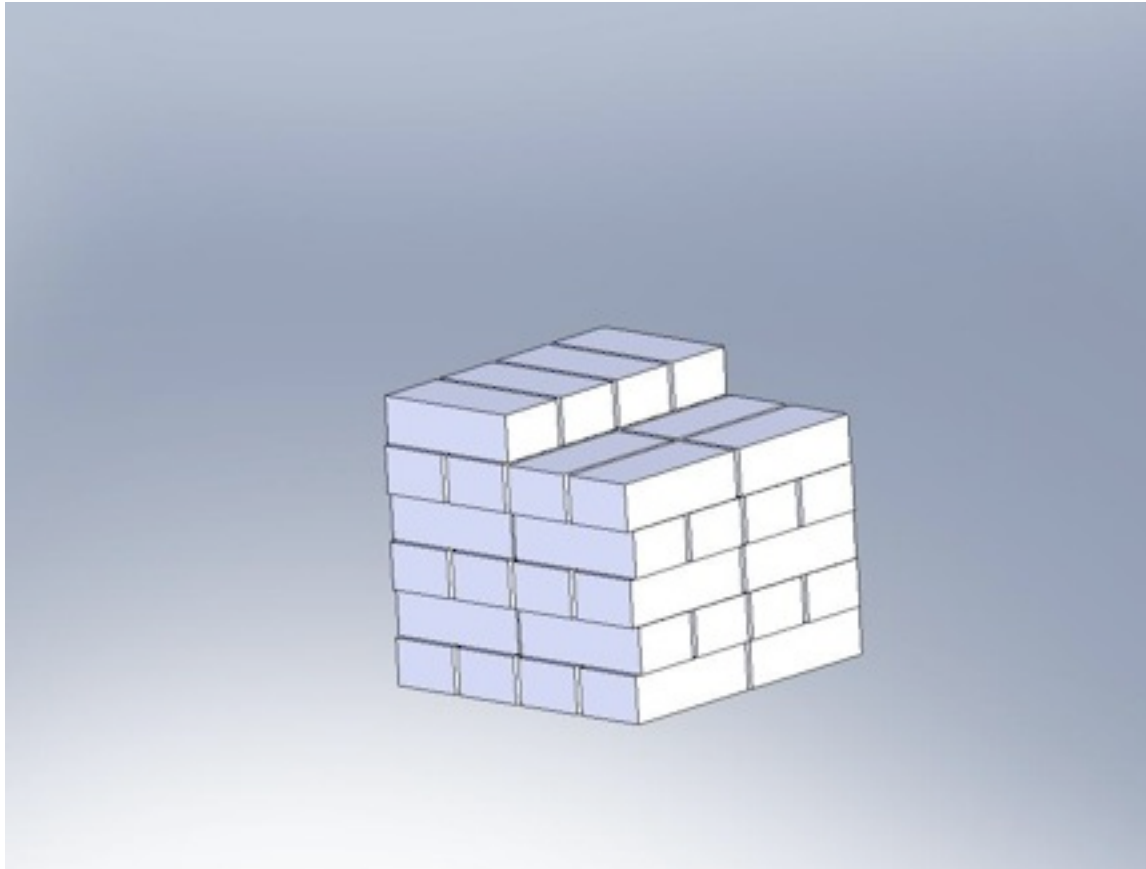
- Maximum external dimensions: 79 wide X 60.4 long X 64 tall inches
- Maximum internal dimensions 51.5 tall X 56.3 wide X 73.75 deep inches
- Maximum internal volume: 105.9 cu ft
- Maximum gross weight: 3500 lbs
- Maximum tare weight: 800 lbs - 1300 lbs (Options Available)
- Maximum payload: 2200 lbs – 2700 lbs (Depending upon options)
- Maximum door opening: 50.5 tall X 52.5 wide
- Temperature Ranges can be held for your perishable goods between 34°F - 89 F°. Add dry ice or gel packs to keep down to -10°C/14 F°.

Proprietary and Confidential. The information contained in this drawing is the sole property of Tednologies, Inc. Any reproduction in part or as a whole without the written permission of Tednologies, Inc. is prohibited.



TEDESBOX view 1

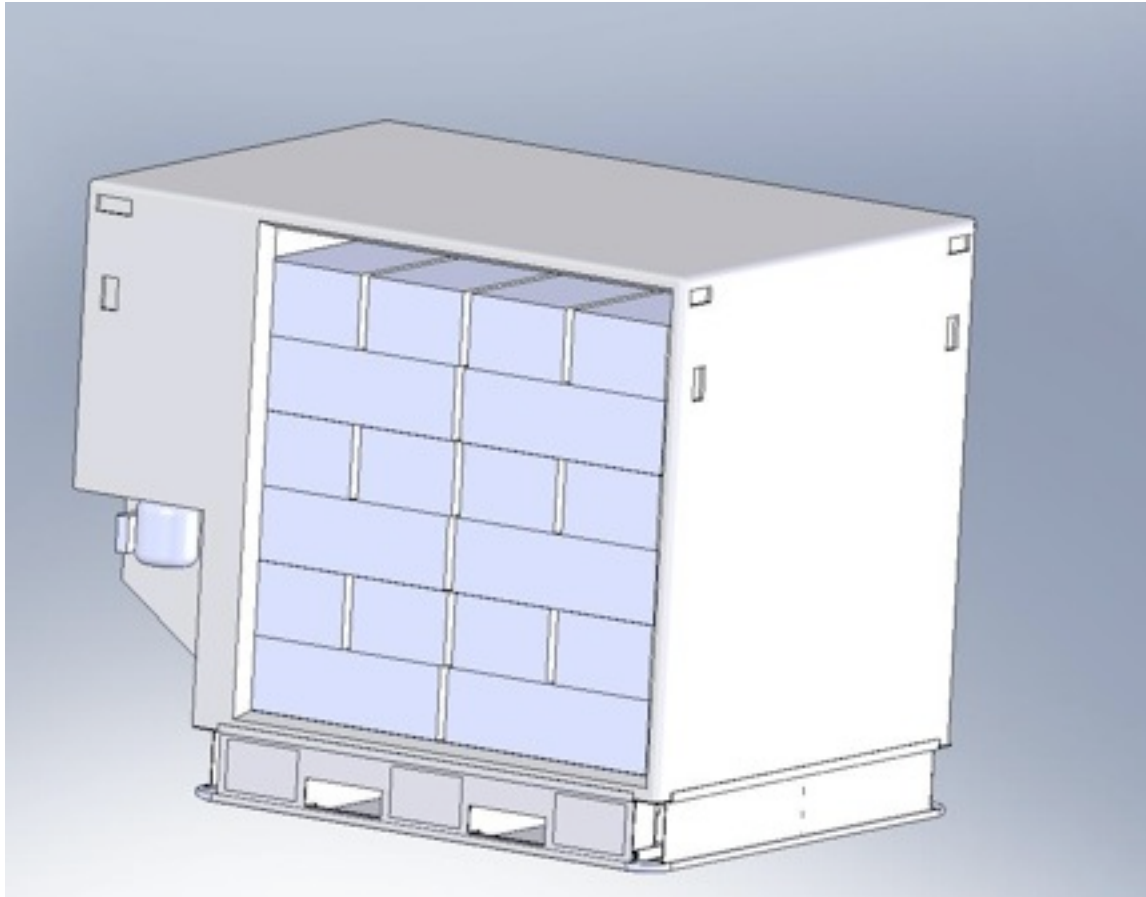
Proprietary and Confidential. The information contained in this drawing is the sole property of Tednologies, Inc. Any reproduction in part or as a whole without the written permission of Tednologies, Inc. is prohibited.



Fish Boxes

44 Each #50 Fish boxes with 2200# useful load, 6 each battery bank on the TEDSBOX.

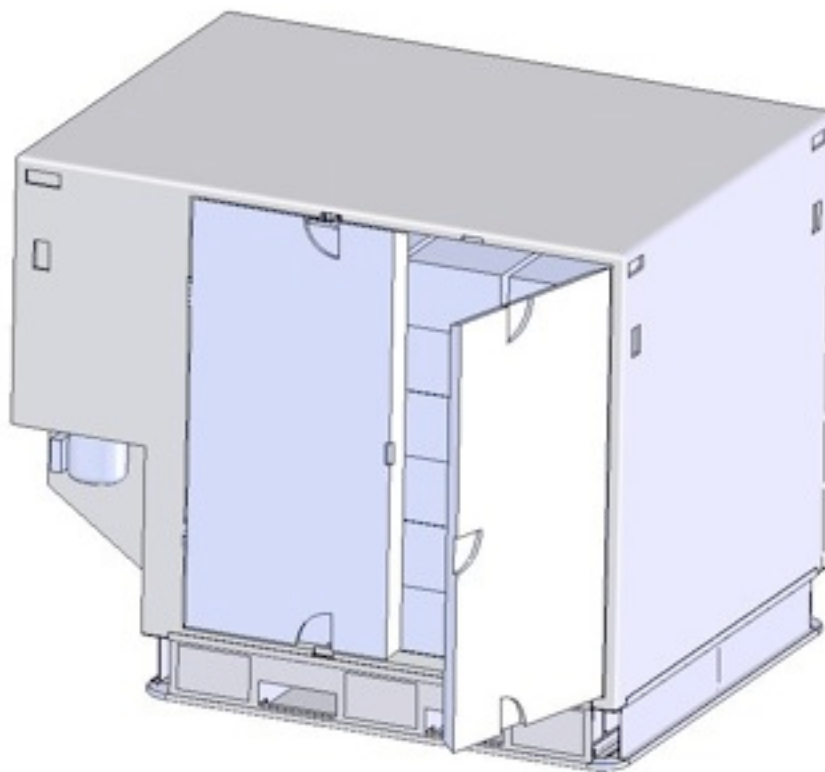
Proprietary and Confidential. The information contained in this drawing is the sole property of Tednologies, Inc. Any reproduction in part or as a whole without the written permission of Tednologies, Inc. is prohibited.



TEDSBOX view 2 (option)

53 Boxes useful load of 2700#

Proprietary and Confidential. The information contained in this drawing is the sole property of Tednologies, Inc. Any reproduction in part or as a whole without the written permission of Tednologies, Inc. is prohibited.



TEDSBOX view 3

Proprietary and Confidential. The information contained in this drawing is the sole property of Tednologies, Inc. Any reproduction in part or as a whole without the written permission of Tednologies, Inc. is prohibited.